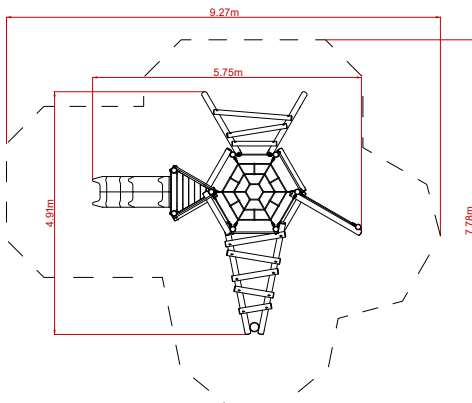


# AGILITY STICKS - HEX NET CLIMBER WITH SLIDE

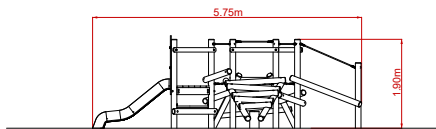
Product Ref Number: B16-003

## Agility Sticks Description:

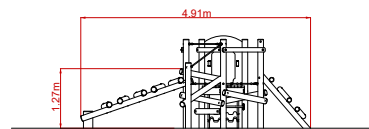
Plan View



End View



Side View



## Product Specification:

**Dimensions:** L: 5.75m W: 4.91m H: 1.90m  
**Age Range:** 3+ years  
**Play Type:** Active  
**Free Fall Height:** 1.30m  
**Free Space Required:** L: 9.27m W: 7.78m

**Safety Surfacing Area:** 46m<sup>2</sup>  
**Assembly:** Installation Required  
**Mass of Heaviest Part:** kg  
**Dimensions of Largest Part:** L: 2.60m W: 0.12m  
**Conformity to EN1176:** Yes



14 Greenfields Business Park  
Wheatfield Way  
Hinkley  
Leicestershire, LE10 1BB

Tel: 01455 412134  
E-mail: [info@schoolplaygroundcompany.co.uk](mailto:info@schoolplaygroundcompany.co.uk)

[www.schoolplaygroundcompany.co.uk](http://www.schoolplaygroundcompany.co.uk)